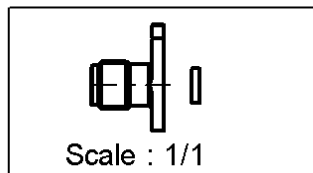
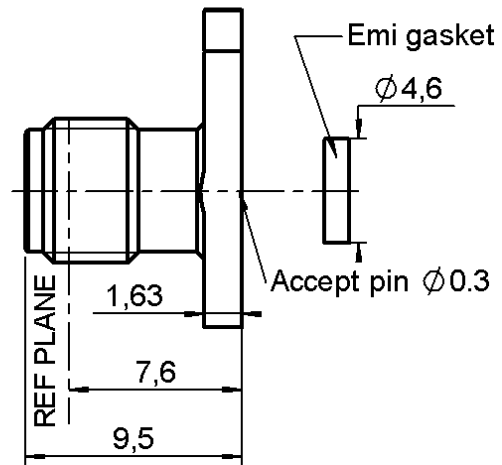
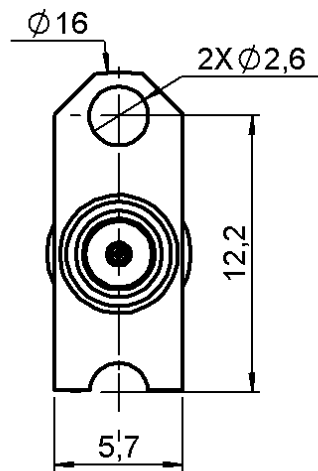


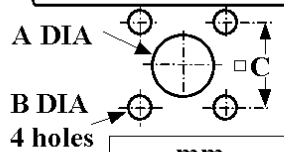
2 HOLES FLANGE JACK RECEPTACLE
WITH EMI GASKET - FOR 0.3 MM DIA

R125.967.001

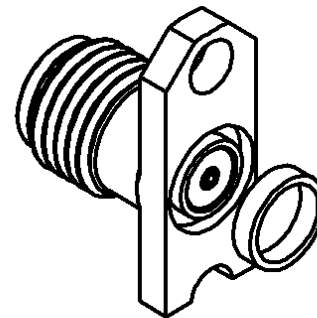
Series : SMA



PANEL CUT OUT



	mm	
	Maxi	mini
A	5.25	5.15
B	2.65	2.6
C	12.25	12.15



All dimensions are in mm.

COMPONENTS	MATERIALS	PLATING
BODY	STAINLESS STEEL	PASSIVATED . μm
CENTRE CONTACT	BERYLLIUM COPPER	GOLD 1.3 OVER NICKEL 2 μm
OUTER CONTACT	-	- μm
INSULATOR	PTFE	- μm
GASKET	SILICONE RUBBER	- μm
OTHERS PARTS	-	- μm
-	-	-
-	-	-



Edition : 9840 A

Design changes may be in order to improve the product.

2 HOLES FLANGE JACK RECEPTACLE

R125.967.001

WITH EMI GASKET - FOR 0.3 MM DIA

Series : SMA

ELECTRICAL CHARACTERISTICS

Impedance		50 Ω
Frequency		0-18 GHz
VSWR	1.06* +	0.002 x F(GHz) Maxi
Insertion loss		0.07* √F(GHz) dB Maxi
RF leakage	- (60 - F(GHz)) dB mini
Voltage rating		500 Veff Maxi
Dielectric withstanding voltage		1000 Veff mini
Insulation resistance		5000 MΩ mini

SPECIFICATION

ENVIRONMENTAL

Operating temperature	-65/+165 °C
Hermetic seal	NA Atm.cm3/s
Leakage – pressurised only	NA Mpa

OTHERS CHARACTERISTICS

Assembly instruction **NA**

Others :
* Coaxial Transmission Line Only

MECHANICAL CHARACTERISTICS

Centre contact retention		
Axial force – Mating end		27 N mini
Axial force – Opposite end		27 N mini
Torque		2.8 N.cm mini
Recommended torque		
Mating		NA N.cm
Panel nut		NA N.cm
Mating life		500 Cycles mini
Weight		0.000 g



Edition : 9840 A

Design changes may be in order to improve the product.